

Size: 145x210mm

Sur la table

PERFORMANCE BLENDER

1200 WATTS

OWNER'S MANUAL



Scan here for bonus recipes and to watch how-to videos that will help you make the most of your blender. or go to www.mcappliances.us

MODEL: SLT-2203

BEFORE USE, PLEASE READ AND FOLLOW ALL IMPORTANT SAFEGUARDS, WARNINGS, CAUTIONS AND OPERATING INSTRUCTIONS.



Congratulations! You now own a Performance Blender with 5-speed settings for easy blending, chopping, mixing, liquefying drinks, and shakes. The preset functions for Grind, Puree, Ice Crush, Milk Shakes and Smoothies, makes it a breeze to create your favorite recipes. Great for entertaining your family and friends.

To get the most out of your Performance Blender, please read the manual carefully before use, and keep this manual for easy reference. **Enjoy!**

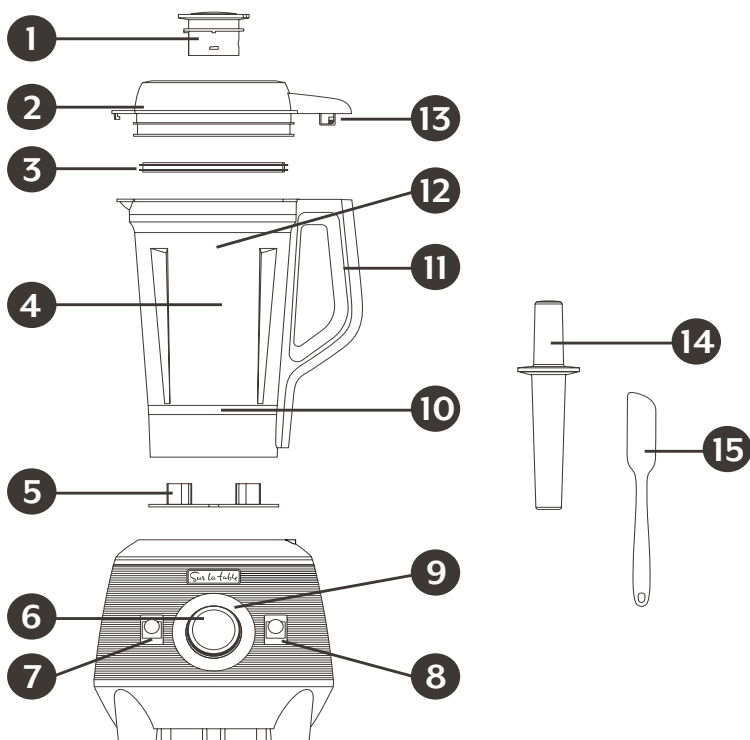
Sur la table

© 2022 Sur la table. All Rights Reserved.

Products mentioned herein are for identification purposes only and may be registered trademarks of their respective companies. All brand names, trademarks or registered trademarks are the property of their respective owners.

This manual is only applicable to SLT 2203. All the contents in this manual are for reference only during the user's use and maintenance. The pictures are for reference only. All the contents in the manual have been carefully checked. If there are any printing errors or misunderstandings in the contents, the company reserves the right to interpret.

WHAT'S IN THE BOX



1 REMOVABLE MEASURING CUP

2 TIGHT-SEAL BLENDER LID

3 LID SEAL RING (DO NOT REMOVE FROM LID)

4 72-OZ. BLENDER JAR

5 BLENDER JAR PAD (CAUTION: MIGHT GET HOT)

6 CONTROL KNOB

7 ON/OFF SWITCH

8 PULSE/CLEAN SWITCH

• WHEN SWITCH IS PRESSED, IT OPERATES AT HIGHEST SPEED

9 FUNCTION PANEL

10 6-STAINLESS STEEL SHARP BLADES

11 HANDLE

12 MAX FILL LINE

13 BLENDER LID LOCK

14 STIR BAR

15 SCRAPER

NOTE: During blender operation, you can automatically switch from one function to the next by turning the control knob.



READ ALL INSTRUCTIONS PRIOR TO OPERATING

- This manual is a comprehensive step-by-step user instruction guide for the **Performance Blender SLT 2203** and components.
- Make sure to read, understand and follow all these instructions.
- To address any questions relating to ordering parts, operating the **Performance Blender SLT 2203**, assembly, troubleshooting, maintenance, service or anything else; contact **Customer Service Support Team at 1-877-246-0990 or email us at appliancesupport@monchateau.us**
- **Keep this manual in a location where it may be used for ongoing reference.**

IMPORTANT SAFEGUARDS AND WARNINGS

- Unplug the **Performance Blender** from outlet when **NOT in use**, before putting on or taking off parts, and before cleaning or removing contents from blender container. Before disconnecting plug, press ON/OFF control to turn off blender, then remove power plug from wall power outlet by grasping the plug, not the cord.
- Never put hands into the blender jar or handle the blades with the **Performance Blender** plugged into the power outlet.
- The **Performance Blender** is a household appliance designed for indoor use **ONLY** and normal temperature conditions.
- Do **NOT** use the **Performance Blender** outdoors, it could cause serious injuries if it gets wet.
- Make sure the voltage of the power source is the same as specified on the rating plate of the **Performance Blender**. The use of an incorrect power source connection voids the warranty and can cause a fire, death, or serious injuries.
- Do **NOT** let power cord hang over the edge of counter, or touch hot surfaces.
- Do **NOT** operate the **Performance Blender** with a damaged cord or plug or after the appliance malfunction or has been damaged in any manner. Return the **Performance Blender** to the nearest authorized service facility for examination, repair, or adjustment.
- If the power cord is damaged, it **MUST** be replaced by the manufacturer or its service agent or a similarly qualified person in order to avoid a hazard, fire, or injuries.
- Close supervision is necessary when any appliance is used by or near children.
- **Avoid any contact with any moving parts.**

- Keep hands and utensils out of the **Performance Blender** while blending to reduce the risk of severe personal injuries or damage to the blender. A scraper may be used but must be **used ONLY** when the blender is **NOT** running.
- The use of attachments not recommended or sold by manufacturer may cause fire, electric shock, death, or serious injuries.
- To reduce the risk of injury, never place blade assembly on motor unit without the jar properly attached.
- **Children cannot use the Performance Blender. Keep the blender and its cord out of the reach of children.**
- Do not leave the **Performance Blender** unattended.
- When removing the **Performance Blender** from the motor unit, wait until the blades have completely stopped.
- **Always operate the Performance Blender with lid in place.**
- **Do NOT** use the **Performance Blender** for other than its intended use.
- **Do NOT** touch the sharp cutting blades when emptying the blender jar or during cleaning since it may cause serious injuries and cuts.
- Switch the **Performance Blender** to “off” and disconnect the power plug from the power outlet before handling moving parts.
- Always unplug the **Performance Blender** from the power outlet if it is left unattended and before assembling, disassembling, or cleaning.
- To protect against electrical hazards, and permanent damage to unit, **do NOT** put blender motor base in water or other liquids.
- **Do NOT** use carbonated liquids in the **Performance Blender**. Using carbonated liquids in the blender jar may result in serious injuries.
- **Do NOT** pour any boiling or hot water, liquids, or hot food into the **Performance Blender** jar.
- Avoid coming into contact with moving parts to avoid serious injuries.
- **Blades are sharp. Handle carefully.**
- **Do NOT** operate the **Performance Blender** in an appliance garage. When storing the blender in an appliance garage, always unplug the unit from electrical outlet. Not doing so could create a risk of fire, especially if the blender touches the walls of the garage or the door touches the unit as it closes.
- The use of ear protection is recommended during extended operating periods.
- **The jar pad may be hot after running — do not touch.**
- Unplug the **Performance Blender** from the power outlet before removing the blender jar so that the blender **does NOT** get accidentally turned on if a button is pushed.
- The **Performance Blender** should **NOT** be used in staff kitchen areas, shops, offices, other working environments, farm houses, in hotels or motels, bed and breakfast rentals, or any other types of residential environments.

IMPORTANT SAFEGUARDS AND WARNINGS (CONT.)

- **Do NOT** place the **Performance Blender** next to or near a fryer, countertop ovens or any other appliance that might get hot.
- Protect the **Performance Blender** from direct sunlight, prolonged water splashes and humidity.
- The **Performance Blender** should **NOT** be used by or near children or individuals with certain disabilities.
- The **Performance Blender** must **NOT** be used, cleaned, or maintained by children.
- The **Performance Blender** is **NOT** a toy and can **NOT** be use by children to play.
- The brand owners, manufacturer, partners, affiliates, or anyone working with the production of the **Performance Blender** accepts no responsibility and warranty will be voided; if the **Performance Blender** is commercially use, inappropriately handled or used; any damage from misuse, faulty operation, non-professional repairs or failure to comply with the instructions in this manual and the proper use of this appliance.
- **WARNING: Avoid risk of fatal electrical shock and fire. Electricity and water together are dangerous and can lead to fatal electrical shocks, death, or serious injuries.**
- In case of an emergency, immediately remove the power cord plug from the power outlet. **ONLY** plug the **Performance Blender** into suitable, easily accessible and grounded outlet connections.
- Keep the power cord away from heat, dampness, and moisture of any kind.
- If the power cord is damaged, **DO NOT USE** the **Performance Blender** until the power cord is replaced by the manufacturer, its service agent, or a similar qualified and certified technician in order to avoid all risks included but not limited to fire, death, and personal serious injuries.
- To avoid hazardous damage, never place the **Performance Blender** on or beside hot surfaces such as radiators, stoves, ovens, gas burners, open flames or any surfaces that are not sturdy.
- Do **NOT** touch any hot surfaces or steam to avoid serious injuries. Use handles or a kitchen mitten.
- Always place the **Performance Blender** on a horizontal, stable, sturdy and even surface.
- Disconnect the power cord by pulling out the plug, do **NOT** pull on the cord itself to avoid damages.
- **Never** touch the cord with wet hands.
- **Never** immerse the **Performance Blender Motor** in water or any other liquid, it can cause electrical shock, death, or serious injuries.
- **Never** put the **Performance Blender** or any part of it in the dishwasher.

- Do **NOT** open the factory set screws on the **Performance Blender** to look inside the motor because there is dangerous voltage inside, and this can cause fire, death, or serious injuries. Do **NOT** dismantle or open the appliance in any way since this will void the warranty. Do **NOT** put anything into any openings; doing so may cause fire, electric shock, death, or serious injuries.

WARNING: Avoid possible harm when operating the blender.

- The use of accessory attachments not recommended by the manufacturer will void warranty and may result in fire, electric shock, death, or serious injuries.
- Do **NOT** use the **Performance Blender** if it is damaged, has been dropped or **NOT** operating properly. Immediately remove the power cord plug from the power outlet.
- Do **NOT** put fingers into the blender jar while it is operating, to avoid risk of serious injuries.
- Do **NOT** overfill the blender jar. Fill to the MAX line marked on the blender jar.
- Do **NOT** use any strong cleaning agents or solvent cleaners. Use a damp cloth and mild cleaning agents to clean the surface and removable parts for the **Performance Blender**. Make sure surfaces are dry.
- Do **NOT** use steam or a pressure cleaner to clean the **Performance Blender**, this may damage the appliance to the point of creating a life-threatening hazard, electrical shock, death, or serious injuries.
- To clean the **Performance Blender**, use only clean cleaning tools.
- When unpacking the **Performance Blender**, remove any plastic film and dispose of it.
- Do **NOT** let children play with the packing materials, plastic film, or box for the **Performance Blender**; since this can be a choking hazard, and cause death or serious injuries.
- If you are sensitive to heat or are unable to feel hot surfaces, you **MUST** wear heat protective gloves to prevent serious injuries from hot surfaces.
- Please use the stir bar and scraper provided. Do **NOT** use spoons, chopsticks, and forks etc. inside the blender jar. Make sure the blender is turned “off” first.
- The blender lid and measuring cup **MUST** always be on the blender jar when in operation.
- Do **NOT** use the blender if the blender jar is cracked or damaged in any way or if the blades are loose to avoid serious injuries. Contact customer service for a replacement.

Short Cord Instructions

- To reduce the risk of electric shock, this power cord is intended to fit into a polarized outlet **ONLY** one way. If the power cord plug does **NOT** fit fully into the power outlet, reverse the power cord plug and insert into the power outlet. If it still does not fit, contact a qualified electrician or customer service.
- Do **NOT** attempt to modify the power cord plug in any way.

**SAVE THESE INSTRUCTIONS
HOUSEHOLD USE ONLY**

FEATURES

- 1200 Watts of Power
- Smoothies, Juices, Purées, Food Prep and More
- 5 Speed Setting
- 6 Stainless Steel Sharp Blades
- 72-oz. Blender Jar
- Blender Lid Lock
- ON/OFF Switch
- Pulse/Clean Switch
 - To achieve desired texture at highest speed
 - Quickly clean Blender Jar
- Preset Function Panel
 - Grind
 - Puree
 - Ice Crush
 - Milk Shake
 - Smoothie

QUICK START GUIDE

- 1 Before first use, hand wash with mild soap Removable Measuring Cup, Lid, Jar and Blades with a brush. **WARNING: Be Careful, blades are very sharp!** Rinse well all parts and dry.
- 2 Place Blender Base on a sturdy horizontal surface.
- 3 Assemble all parts washed in step 1 onto Blender Base. Make sure Lid is locked in place by turning it into the slot on the handle.
- 4 Insert power plug into power outlet.
- 5 Remove Lid, add liquid ingredients first, then follow with solid ingredients in small pieces, then frozen ingredients.
NOTE: This will provide more consistent blending and prevent unnecessary stress on the motor. Food to liquid ratio is 2:3 and the amount of ingredients should NOT exceed the MAX level as indicated on the Jar.
WARNING: Always remove the core from fruits, vegetables and cut into small pieces. Never use boiling, hot liquids, or run the blender empty.
- 6 Place Measuring Cup and Lid back on the Blender Jar.
NOTE: The Measuring Cup can be removed to add ingredients to Blender Jar. Make sure Blender is "OFF" before removing Measuring Cup.

QUICK START GUIDE

- 7** Rotate the knob to choose from the 5 speeds or 5 preset function controls. The corresponding preset time will be displayed on the knob display. Press the ON/OFF switch to start the blending process. When the blending cycle for a preset is completed, the blender will automatically stop. Press the ON/OFF switch to stop the blending cycle when blending using one of the 5 speed settings or 5 preset function controls.



WARNING: Do not run the blender for more than 2 minutes at a time, and always wait until the unit is cooled to room temperature before performing next operating cycles.

IMPORTANT OPERATING TIPS

- For quick or blending tasks at the blender's highest speed, press the Pulse/Clean switch and hold it for a few seconds and then release. Operate several times until the consistency you want is obtained.
- If you want to add ingredients while the **Performance Blender** is operating, remove the Measuring Cup and place ingredients through the Lid opening.
- When crushing ice or hard food, make sure lid is locked into the blender's handle slot.
- **WARNING: For each use, the consecutive operation time should be less than 2 minutes. At least 10 minutes rest time MUST be maintained between two continuous cycles. Let the blender cool down to room temperature before performing the next operating cycle.**
- **If you want to stop the blender during operation, press the ON/OFF Switch to stop the blender's operation at any time.**
- Always pour liquids into the jar first and then the solids for better blending results and less stress on the motor.
- Some tasks that cannot be performed efficiently in a blender are beating egg whites, whipping cream, mashing potatoes, grinding meat, mixing dough, and extracting juice from fruits and vegetables.
- **WARNING: The following items should never be placed in the blender as they may cause damage: bones, large pieces of solid, frozen food, or tough foods such as turnips.**
- **TO DISLodge FOOD:** Use the scraper to help remove food lodged around the blade assembly. **DO NOT USE SCRAPER UNTIL YOU HAVE TURNED THE BLENDER OFF.** Replace the Lid, Removable Measuring Cup and continue blending, if necessary.
- Make sure scraper is **NOT** inside the Blender Jar before blending.
- **WHEN BLENDING IS FINISHED:** Press the ON/OFF switch and unplug the blender from the electrical outlet.
- Never remove the Blender Jar from the Jar Pad until the blender is off. Simply lift Blender Jar from Jar Pad.
- **Do NOT** put hands into Blender Jar with blender plugged in.
- In the event the blender loses power and shuts off, simply unplug the blender, and then plug it back in. Press ON/OFF Switch to power the blender on.
- If the blender has overheated, let it cool down (15 minutes) before powering on again.
- Remove the Blender Lid and use the Stir Bar to stir and move ingredients inside the blender. Make sure blender is turned off first.

DON'T S WHEN USING YOUR BLENDER

- Don't leave your blender plugged into the power outlet after using it.
- Don't store food or liquids in your blender jar.
- Don't use any utensil inside the blender jar while the motor is on.
- Don't use any containers or accessories not recommended by the manufacturer, doing so may result in serious injuries.
- Don't add boiling or hot liquids or frozen foods (except ice cubes or frozen fruit up to 1 inch) to blender jar.
- Don't over process foods. Blender will achieve most desired results in seconds, not minutes.
- Don't attempt to mash potatoes, knead heavy dough, or beat egg whites.
- Don't overload blender. If the motor stalls, turn the blender off immediately, unplug the unit and remove a portion of the food, then continue.
- Don't put hands inside the blender jar when blender is plugged in.
- Don't use carbonated liquids in the blender jar. Using carbonated liquids in the blender jar may result in serious injuries.
- Don't remove blender jar while unit is on. Keep the blender jar lid and measuring cup on the blender jar while blending.

CLEANING AND MAINTENANCE

NOTE: This product contains no user serviceable parts. Refer service to qualified service personnel.

1. Before cleaning, unplug the blender from the power outlet.
2. Do not let food dry on the Blender Jar as this will make cleaning difficult.
3. Dismantle all detachable parts. Lift the Blender Jar off the Motor Unit. In addition, detach the Jar Lid and Measuring Cup.
4. After every use, immediately hand wash with mild soap, Measuring Cup, Lid, Lid Seal Ring, Blender Jar and use a brush on the Blades for easier cleaning.
5. Rinse well all parts and dry.

WARNING: Do not touch the sharp blades, handle carefully. Do not immerse the blade assembly in water for extended periods of time. If leaving Jar to air dry place it upside down away from children.

6. Place Measuring Cup back onto Lid, Lid onto Jar and Jar onto base.
7. Wipe the motor unit with a damp cloth and dry thoroughly. Remove the stubborn spots by rubbing with non-abrasive cleaner. If liquids spill into the motor unit; first unplug the blender, then wipe with a damp cloth and dry thoroughly.

WARNING: Do NOT immerse the motor unit in liquids to prevent the risk of electric shock, death, or serious injuries. Do NOT use rough scouring pads or cleansers on parts or finish. Do NOT place any part of the blender in the dishwasher.

QUICK BLENDER JAR CLEANING



1. Remove Blender Lid.
2. Pour warm water into the Blender Jar below the MAX level. Add 2 drops of dish washing liquid.
3. Place Blender Lid on the Blender Jar and lock Lid in place.
4. Press the Pulse/Clean switch for 20 to 30 seconds and release the switch.
5. Remove Blender Lid.
6. Rinse Blender Jar well with clean water.
7. Dry Blender Jar.
8. Dry Blender Lid and place Lid back on the Blender Jar.
9. Unplug power cord from power outlet.

TROUBLESHOOTING

QUESTIONS	POSSIBLE CAUSES	SOLUTIONS
Why is the blender not working?	Power is not turned on.	Connect plug to power outlet.
	Jar is not put in place.	Remove jar and place it correctly back on the blender base.
	The blender lid is not locked in place.	Place lid on blender & lock in place.
Why aren't the blades rotating?	After selecting the desired function, "ON/OFF" switch is not pressed.	Press "ON/OFF" switch.

QUESTIONS	POSSIBLE CAUSES	SOLUTIONS
Why is the blender not turning "ON"?	After selecting the desired function, the "ON/OFF" switch is not pressed.	Select desired function and press "ON/OFF" switch.
Why is there an undesirable odor coming from the blender?	It is a normal condition when the blender is used for the first time and the motor is running.	After several times of using the blender, the odor will go away. If it does not, please contact our customer service department, or go directly to our company's maintenance point for inspection.
	The blender is overloaded.	<ol style="list-style-type: none"> 1. Check the processing volume and blending time. 2. Check whether the voltage is the correct one.
	No ingredients are placed in the blender jar.	Check whether there are ingredients in the blender jar.
Why are there abnormal sounds coming from the blender?	The blender jar is not installed correctly.	Turn off the blender and check whether the blender jar is installed correctly.
	There is a foreign object inside the blender jar.	Turn off the blender and check whether there are any foreign objects inside the blender jar.



Environment Friendly Disposal

You can help protect the environment! Please remember to respect the local regulations. Take non-working electrical equipment to an appropriate waste disposal center.

1 YEAR LIMITED WARRANTY

Customer Service:

(877) 246-0990

ApplianceSupport@monchateau.us

RECIPES



TROPICAL GREEN SMOOTHIE

RECIPE LEVEL: Easy – Makes 2 to 4 servings

INGREDIENTS

- 1 cup packed spinach leaves
- ½ cup packed kale
- 1 small orange, peeled and cut in half
- ½ cup frozen mango cubes
- ½ cup frozen pineapple cubes
- ½ cup frozen papaya cubes
- Half a small frozen banana
- 1 teaspoon grated ginger
- 1 cup unsweetened coconut water

INSTRUCTIONS

1. Place all ingredients in the Blender Jar in the order given.
2. Place the Jar on the Blender Base. Secure the Blender Lid on the Jar.
3. Turn the knob to SMOOTHIE. Press the ON/OFF switch.
4. When End signal sounds, pour mixture into glasses and serve immediately.

VARIATION: Use 1½ cups of a frozen single variety of fruit – mango, papaya, or pineapple.

SPICY MARINARA SAUCE

RECIPE LEVEL: Easy – Makes 4 cups

INGREDIENTS

- 2 pounds ripe Roma tomatoes, washed and any labels removed
- ¼ cup extra-virgin olive oil, divided
- 1 medium onion, diced
- 2 large cloves garlic, sliced
- Kosher salt and black pepper
- 2 tablespoons torn fresh basil leaves
- ½ teaspoon crushed red pepper flakes or to taste
- 2 tablespoons tomato paste, optional

INSTRUCTIONS

1. Fill a sauce pot with water and let it come to a boil over high heat. Fill a large bowl with cold water and several ice cubes.
2. Meanwhile, with a small, sharp knife, remove the core of each tomato, then cut an “x” at the bottom of each.
3. Carefully drop the tomatoes into the sauce pot for 1 to 1½ minutes, until the skins start to slightly shrivel (riper tomatoes will take slightly less time).
4. Use a slotted spoon to remove the tomatoes to the bowl of ice water; with fingers, gently peel off and discard the tomato skins.
5. Cut skinned tomatoes lengthwise in half, then in quarters and gently squeeze out the seeds. Season tomatoes generously with salt and pepper.
6. In a small skillet, heat 2 tablespoons of the oil over medium-high heat; add the onions and garlic and cook, stirring, until onions are softened.
7. Wait for the onion mixture cool down, add the onion mixture to the Blender Jar with the seeded tomatoes, red pepper flakes, basil leaves, and the remaining 3 tablespoons olive oil.
8. Place the Blender Jar on the Blender Base. Secure the Lid on the Blender Jar.
9. Press and release the Pulse/Clean switch until desired consistency is reached.
10. Season to taste with salt and pepper. Serve sauce at room temperature over hot pasta, or if desired, place sauce in a saucepan, stir in tomato paste and cook and stir over medium heat 15 minutes.
11. Store sauce in refrigerator in airtight container; use or freeze within 1 week.



Sur la table

**PERFORMANCE
BLENDER**

1200 WATTS

Customer Service:

(877) 246-0990

ApplianceSupport@monchateau.us

MODEL: SLT-2203